



Underwater target Shooting

General Rules

Rev. RC0.4d



SUMMARY

Article 1 -	DEFINITION	4
Article 2 -	ORGANIZATION	4
2.1	Panel of judges	4
2.2	THE COMPETITION MANAGER.....	4
2.3	THE STARTER	4
2.4	THE TIMEKEEPER.....	4
2.5	THE SHOOTING RANGE UMPIRE	5
2.6	THE UMPIRE(S) FOR THE IMPACTS.....	5
2.7	THE PERSON CAPTURING THE RESULTS	5
2.8	THE UMPIRE CONTROLLING THE CROSSBOWS.....	5
2.9	THE TEAM CAPTAIN.....	5
2.10	THE PERSON REPLACING THE TARGETS (optional).....	5
Article 3 -	TRAINING PLACE	6
Article 4 -	TYPES AND PROGRAMMING OF A SPORTING EVENT	6
4.1	Types of competition	6
4.2	Sportive event programming.....	6
Article 5 -	PERSONAL EQUIPMENT	7
5.1	A crossbow	7
5.2	The arrow.....	7
5.3	Aiming Systems:	7
5.4	Other equipment:	7
Article 6 -	COLLECTIVE MATERIAL (whole of shot)	8
6.1	Front panel and back panel	8
6.2	Sticker.....	8
6.3	Target	8
6.4	Target-support	8
6.5	Shot window.....	8
6.6	Suction disc or submerged ballast	8
Article 7 -	COMPETITORS	9
7.1	Classes:	9
7.2	Registering to the competitions:.....	9
Article 8 -	SECURITY	9
Article 9 -	RESPONSABILITY	9
Article 10 -	COMPETITION PROGRESS	10
10.1	Tests:.....	10
10.2	Progress	10
10.3	Result recording.....	10
10.4	Shot Incident.....	11
10.5	Disqualification.....	11
10.6	Complaints.....	11
Article 11 -	Cases not provided	11
PRECISION TEST		12
1 -	Definition.....	12
2 -	Progress	12
3 -	Penalties	12
4 -	Points calculation	12
5 -	Ranking	12
BIATHLON		13
1 -	Definition.....	13
2 -	Progress	13
3 -	Penalties	13
4 -	Points calculation	13
5 -	Ranking	13
1 -	Definition.....	14
2 -	Progress	14



Commission Nationale de TIR SUR CIBLE SUBAQUATIQUE

3 - Bonus	14
4 - Penalties	14
5 - Result calculation	14
6 - Ranking	14
Underwater relay	15
1 - Definition	15
2 - Relay area laying-out	15
3 - Progress	15
4 - Penalties	15
5 - Ranking	15
COMBINED RANKING	16
1 - Points calculation for the precision test:	16
2 - Points calculation for the biathlon test:	16
3 - Points calculation for the Great Biathlon :	16
4 - Points calculation for the Combined ranking	16
5 - Ranking	16



Article 1 - DEFINITION

By underwater target shooting, mean a sport practised in apnea by a swimmer fitted out with the equipment defined in article 5 and whose autonomy depends exclusively on his own physical capacity.

Article 2 - ORGANIZATION

Trainings would be organized by at least the following supervision staff:

- F A person having the prerogatives of the pool management
- F He has to ensure the federal and local rules (internal training rules) are respected
- F He will take all the necessary measures in case of an accident.

A competition registered on the national calendar (except France championship) should be organized by at least the following supervision staff:

- A competitive sport manager,
- A person in charge of the starter,
- A timekeeper by shooting range,
- An umpire at each shooting range,
- An umpire for the impacts,
- A person to capture the results,
- An umpire to control the crossbows,
- A captain by team,
- Optional: a person for the replacements of targets.

One of umpires has to possess the title of regional umpire.

2.1 Panel of judges

Members of the panel of judges:

- F The competitive sport manager,
- F The captains of the teams,
- F If needed, a federal representative.

Competence of the jury: To interpret and to enforce what is established in the general and particular rule, to decide and to resolve all the omitted cases. The jury decisions are without appeal. In case of equality of the votes during a divergence of opinion, the vote of the competition manager is the casting vote.

2.2 THE COMPETITION MANAGER

- F He ensures the competition.
- F He assigns the different responsibilities.
- F He gives the start of the competition and announces the end.
- F He coordinates the actions to guarantee the safety of the competitors.

2.3 THE STARTER

He gives the start of every series, after the timekeepers and the judges in the shooting range put themselves in his orders.

He leaves 2 minutes to the participants of every series for the preparation of their shooting range, except in case of incident.

2.4 THE TIMEKEEPER

Umpire in charge of measuring the time of course made by the competitors.

During the tests he controls the movement of the competitor from his pool lane.

- F He ensures the competitor
- F Measures the time.
- F Writes down on the target the time in the 1/100th accuracy and the penalties.
- F Ensures the competitor safety and warns the shooting range umpire and the starter in case an incident occurs.



2.5 THE SHOOTING RANGE UMPIRE

Umpire in charge of supervising the shooting area.

- F He makes sure the arrow does not overtake the shooting limit which is delimited with a "T" bar.
- F Controls the extraction of the arrow.
- F Counts the shots and the impacts.
- F Counts the penalties.
- F Communicates this information to the managers for targets (Timekeepers)

2.6 THE UMPIRE(S) FOR THE IMPACTS

Umpires in charge of measuring the points on the target:

- F They receive the targets.
- F Work with the control gauge and the piece of arrow stuck in the target in order to determine the value of the shots.
- F Write down the results on the target.

2.7 THE PERSON IN CHARGE OF CAPTURING THE RESULTS

He is in charge of handling the organization of the competition.

- F He registers the competitors.
- F Prepares the series.
- F Enters the results and the penalties in a computer or paper database.
- F Circulates the results after the competition manager agreement.

2.8 THE UMPIRE CONTROLLING THE CROSSBOWS

He has is in charge of checking, before the opening of the competition, that the crossbows presented by the competitors are in accordance to the rules.

- F Checks that the crossbow fits in the gauge box.
- F Checks that the head of the arrow is in accordance to the rules.
- F Checks the connection between the arrow and the crossbow.
- F Checks that the trigger mechanism is in good working order.
- F Checks the state of luggage elastics (if the crossbow is equipped with it).
- F Checks any additional point allowing him to make sure that the crossbow is in accordance to the rules.
- F After these checks he puts an approval mark on the crossbow.

During the competition he can ask anytime to re-check a crossbow and in case he has any doubt he can ask for a blank shot (statutory distance 1,5m).

2.9 THE TEAM CAPTAIN

He represents his team to the organization.

- F He communicates the information spread by the organization to his competitors.
- F He is the only person allowed to go to the table where the results are recorded.
- F He signs at the table of results, the targets of his competitors.
- F He reports the complaints.

2.10 THE PERSON REPLACING THE TARGETS (optional)

He will act only upon request of the Starter. He removes the target and forwards it to the timekeeper, then replaces it with the target belonging to the following competitor.

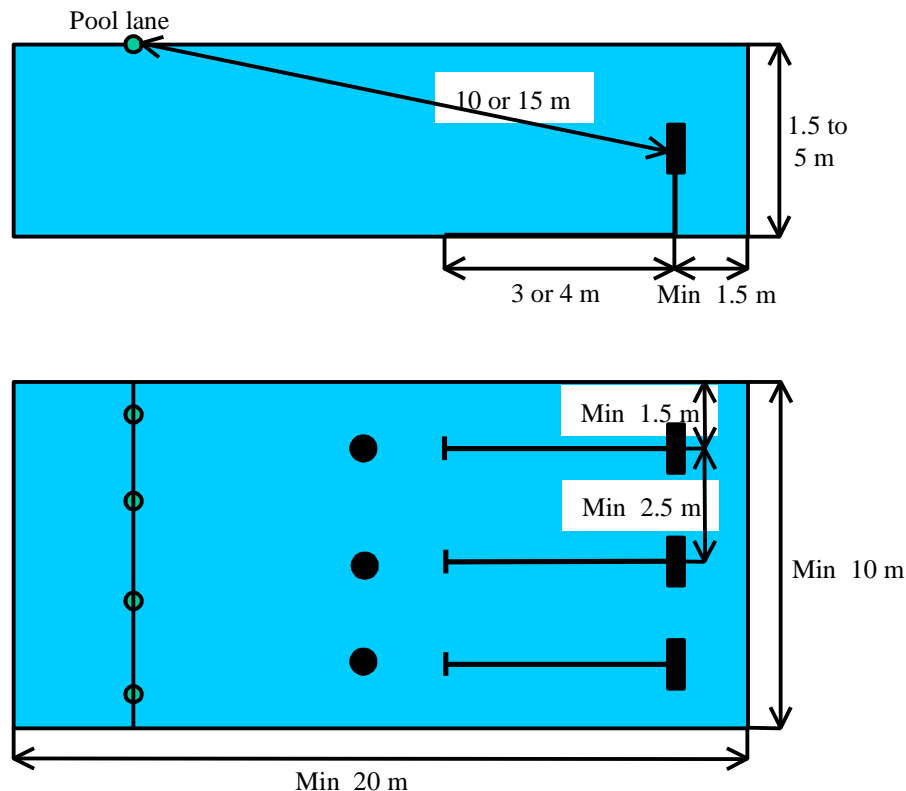
At opening of the competition, a presentation of the umpire team will be made to the competitors or for the team captains. The competition manager will present the organization of the competition

Article 3 - TRAINING PLACE

The trainings take place exclusively in quarry or swimming pool. The dimensions are left up to the estimation of the management but must respect the fundamental rules of safety.

The competitions take place exclusively in quarry or swimming pool. The depth at the level of the shooting range must be located between 1.5 and 5 meters deep. The dimensions must not be lower than 10 m on 20 m.

The (lateral) distance between two shooting ranges has to be at least 2.5 meters and the shooting range must be located at least in 1.5 m away from the wall (for a swimming pool of 10 m of wide, 3 shooting ranges maximum).



Tolerance in the dimensions +/-10cm.

Article 4 - TYPES AND PROGRAMMING OF A SPORTING EVENT

4.1 Types of competition

Club, inter club, departmental, regional
National (France championship, national gala for young people)

4.2 Sportive event programming

In order to be acknowledged, a competition (of any type) must be registered in the national calendar updated by the national committee.

This registration must be made before on [the last day of December](#) of the current season, at the national committee. no other competition than the ones registered in this calendar will be taken into account for the national classification (see article 10).

Any modification of the date of a competition must be notified in writing to the national committee, [21 days before the beginning of this competition](#).

Article 5 - INDIVIDUAL EQUIPMENT

The competitors are allowed to use the following materials:

5.1 A crossbow

Spring loaded elasticated or compressed air. It must be operated by the only muscular strength of the competitor without any external assistance.

- F It can be manufactured or handcrafted.
- F The crossbow in configuration of shot, for all the events, has to fit into a closed box, with the following dimensions: width 30 cm, height 25 cm and length 160 cm.
- F Its weight should not exceed 5 kg.
- F The use and the installation of any device or electric source on the crossbow are forbidden.
- F The competitor can have two different crossbows during the duration of the competition but only one by test.

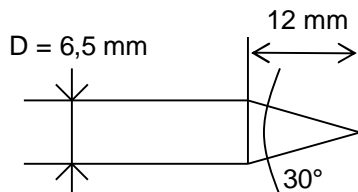
5.2 The arrow

- F It should not include a tongue, its length must not exceed 1.50 m, and its diameter has to be lower or equal to 0.65 cm (6.5 mm). It is necessarily linked up to the crossbow by a thread strong enough to resist to a shot missing the target. In case an elastic is used, it should be at least as resistant as the thread. In any case, the maximal reach of the arrow, must not be higher than the distance of statutory shot plus 1.50 m.
- F Its head must be sharp enough to enter easily into the target and dimensions should comply with the following plans. (A flat or round point explodes the back of the target and forbids any control with the control gauge).

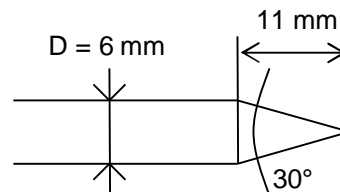
The point of the arrow has to respect the following constraints:

- F Distance between the base of the cone and the head 11mm mini.
- F Angle 30° maxi.

Example : arrow diameter = 6,5mm



Example : arrow diameter = 6mm



5.3 Aiming Systems:

Are forbidden:

- F Laser aiming
- F Holograph aiming
- F Any magnifying device, excepted for corrective glasses or contact lenses.

5.4 Other equipment:

Ballasted belt, protective clothes, flippers, mask, snorkel, gloves, ballasts, ballasted float and different protections are authorized.

At the end of the event, all equipment must be removed in order not to bother the following competitor.

The competitor is responsible for the shooting range during the test, including moving any piece of equipment of the shooting range, either on purpose or not.

The shots are made without any support from one or several arms handling the crossbow **this position has to be without ambiguity**

Article 6 - COMMON EQUIPMENT (shooting equipment set)

6.1 Front panel and back panel

Plate of polyurethane or extruded polystyrene of 30 cms on 30 cms and on 3 cms in thickness

6.2 Sticker

It is an adhesive sheet containing five display units. To every display unit corresponds a number of points:

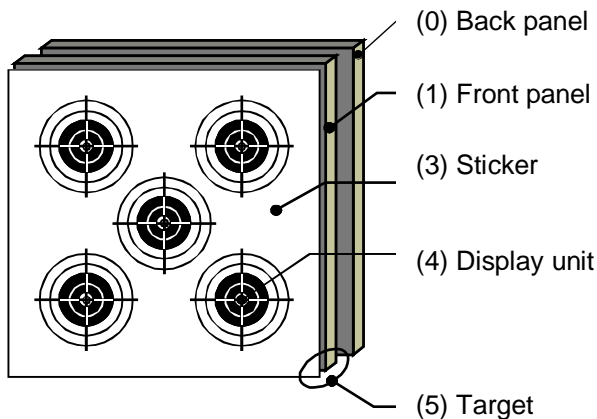
Zone et couleur	Diamètre de zone	Points	Détail du visuel
centre noir (mouche)	10 mm	570-528	
deuxième zone, blanche	7 mm à 15 mm	528-501	
troisième zone, noire	15 mm à 32 mm	501-471	
quatrième zone, blanche	32 mm à 50 mm	471-411	

For the tests in points (Precision, Biathlon), a control gauge graduated allows to determine exactly the value of the impact.

For the tests in time (Great Biathlon and relay), the display units of the sticker are used as a reference. In case of tangent impacts the control gauge must be used to determine exactly if the impact is registered in the valid area.

6.3 Target

A target is made of a sticker stuck on a front panel



6.4 Target-holder

A target holder must be able to support a target and a back-panel.

The axis of the target must be located in 70 cm above the ground with a tolerance of + or - 2 cm.

The base of the target holder must guarantee the stability of the whole set and be equipped with a protective cover. It must be equipped with a warning light in the top to signal the overtaking of the shooting window.

6.5 Shooting window

The shooting window is delimited on the ground with a tube in "T" shape, which horizontal bar is located 3 or 4 m deep. It determines the shooting distance.

6.6 Suction disc or submerged ballast

The suction disc or the submerged ballast enables the competitor to stay in the bottom of the pool. Its lower part should be covered with an anti slip material.

The maximum height of the handle should not be greater than 25cm



Article 7 - COMPETITORS

7.1 Categories:

YOUNGS	14 to 15 ANS
JUNIORS	16 to 17 ANS
SENIORS	18 to 49 ANS
VETERANS	50 and +

In order to participate to a competition, the competitors must be at least 14 years old on the first day of the competition.

The competitor is classified into the category corresponding to his age on the day of the competition.

The national galas for young people are reserved for the YOUNGS and JUNIORS.

The France championships and finale of the French cup are reserved for the SENIOR and VETERAN categories.

The JUNIORS can be classified in seniors and therefore are expected to accept the prerogatives of seniors. The over ranking must be made at the beginning of every competition, accompanied with the medical certificate corresponding to the over ranking.

Competitors under the age of 18 should prove parental consent.

7.2 Registering to the competitions:

Before the competition, each team has to produce:

- F List of names of the competitors including the captain with age and license number
- F The current license, with the subscription to the competition insurance and of a medical certificate allowing the practice of the sport in competition.

The secretary delivers to the captain one number for each participant.

The competition is opened to the mixed teams.

Article 8 - SECURITY

First of all, it is the swimming pool manager responsibility to ensure that the usual safety and hygiene rules are respected (shower, paddling pool, shoes, etc.).

The organization places the assistance equipment (including cylinder of oxygen) at the first aid worker or the doctor's disposal

The competition manager, accompanied with the first-aid worker or with the doctor, has to make sure that the operated materials satisfy safety standards.

Article 9 - RESPONSABILITY

The guarantee of civil liability is covered by the insurance company of the FFESSM (national federation).

For FFESSM members, damages caused to themselves are covered due to the compulsory subscription for the additional individual insurance (Bronze).



Article 10 - COMPETITION PROGRESS

For the **YOUNGS** and **JUNIORS** the shooting windows are **3 meters** away.
For the **SENIORS** and **VETERANS** the shooting windows are **4 meters** away.

10.1 Tests:

Three individual tests and a test by team constitute the competition.

Individual:

- F A accuracy test
- F A biathlon test
- F And a great biathlon test

By team:

- F A relay test.

Are common to these four tests:

Installation of the shooting equipment set ([See article 6](#)).

A warning light system on each target holder, on top of it, enables the [shooting range umpire](#) to indicate the overtaking of the arrow head beyond the [shooting window](#).

10.2 Progress

A number is assigned to each competitor. He positions himself behind the departure line, in accordance to the orders of the [starter](#).

Two minutes (except incident) of preparation are left to:

- F Adjust the suction disc or submerged ballast,
- F Place the target (the transfer of the target can be made by [the person replacing the target](#)), and return behind the line of departure.

Stopwatches are started upon order of the [starter](#) who indicates the time remaining in **30 seconds** then **10 seconds** then counts backwards **5, 4, 3, 2, 1, Go**.

The [head of the competitor](#) must never cross the [line of departure](#) before the end of the count back, whatever the reason. In this case a penalty (called "stolen departure") will be registered on the target by [the timekeeper](#).

After every test, the competitor comes back to his departure line and [waits for the order of the starter](#) to remove his target.

10.3 Result recording

- F The timekeeper registers the time on the target with an accuracy of 1/100th of second.
- F The shooting range umpires immediately notifies to the timekeeper of the possible penalties which will be registered on the target as well as the possible stolen departures.
- F A person from the official staff then transmits the target to [the umpire to the impacts](#), who reads the points on the target using [the approved control gauge](#) with the [team captain](#) attending.
- F He registers the score on the target and notifies the score to the [person in charge of capturing the results](#) the score, and the time in 100 " of second.
- F The [team captain](#) signs then the target for approval.



10.4 Shooting Incident

In case some equipment is broken:

It is possible to repair; [without count backward of time and without assistance.](#)

Two situations should be considered:

Outside water:

It is allowed to repair, [as long as the competitor stays behind the departure line.](#)

Underwater:

The shot is not effective, [after unloading his crossbow](#); the competitor can come back outside water or stay in apnea according to the event and the category, and repair from behind the departure line.

If the target holder has moved, it is up to the competitor [to replace it without count backward of time.](#)

No crossbow can be [replaced during the event.](#)

[Compulsory withdrawal for any non repairable incident](#), with recording of the shots done (*valid only for the precision test*)

Shots on the upright part of the [target holder](#) or the front panel [do not give right to make an additional shot.](#)

10.5 Disqualification

Warning! Any shot leading to the arrow to be out of [the shooting lane limits](#) will cause [the disqualification of the competitor.](#)

- F for infringement of sportsmanship
- F for disregard of the safety
- F for a shot made with a broken thread or elastic

10.6 Complaints

In case of contesting, and [within the limits of the test duration](#), the captain can present a written complaint to the jury. Furthermore, he has to deposit a guarantee of [30 euros](#), which will not be returned by the organization if the complaint is declared [unjustified](#).

Article 11 - Cases not expected

In case of difficulty to interpret one clause of the present rules, [the panel of judges](#) decision is final.



ACCURACY TEST

1 - Definition

The precision test consists in making **ten shots** on a **target** of 5 display units (**two shots by display unit**), with the same equipment, within a time limit of **10 minutes** for **10 shots**. **Any shots started after this time will be not taken into account.**

The departure line is located in **15 meters** away (+ or - 10 cm) by the centre of the target (See diagram [Article 3](#)).

2 - Progress

After every shot, the competitor gets his arrow back in its penetration axis, touches the target, comes back up to the surface, reloads his crossbow in direction of the **target holder** and gets ready for the following shot.

The stopwatch is stopped at the end of the tenth shot **when the head of the competitor**, after he got his arrow back, **rises to the surface the water**.

It is forbidden to shoot of the water.

The competitor can, after his shot and before getting his arrow back, the competitor can come back up to the surface.

3 - Penalties

- F In case of **time overtaking**, the worst shot will be refused.
- F If more than **10 impacts** are counted on the target, the score will be reduced by **one or several best additional shots**.
- F If more than **10 shots (releases)** are counted, the score will be reduced by **one or several bets shots**.
- F If more than **2 impacts** are counted on the same display unit, only **the two best impacts will be kept**.

50 points will reduce the score:

- F For every shot made with warning light on (overtaking of shooting window).
- F For every arrow extraction which the penetration axis would be diverted.
- F For any missed **target**.
- F For a "stolen departure".

4 - Points calculation

- F A number of points corresponds to each impact, this number is measured by **the approved control gauge**.
- F After deduction of the possible penalties, the sum of points determines the final score.
- F There are not negative points.

5 - Ranking

The individual ranking is drawn up from the highest, first graded score, to the weakest, last graded score. The identical scores lead to the same ranking.



BIATHLON

1 - Definition

The **underwater biathlon** test consists in doing, with the same equipment; three courses go and back in apnea within a maximum time limit of 10 minutes.

In every course, a shot is made on a **target** with 5 display units. The competitor **chooses 3** of 5 display units and makes a **shot by display unit**.

The departure line is located in **15 meters** away (+ or - 10 cm) from the centre of the **target** (See diagram **Article 3**).

For competitors in the YOUNG and JUNIOR categories, inhaling when rising to the surface is allowed.

2 - Progress

After every shot, the competitor gets his arrow back in its penetration axis, touches the target, returns behind the departure line, reloads his crossbow in direction to the **target holder** and gets ready for the following shot.

The stopwatch is stopped after the **3rd shot** when **the head of the competitor goes out from water**, behind the departure line.

The competitor has to return with his whole material.

3 - Penalties

- F In case of **time overtaking**, the worst shot will be refused.
- F If more than **3 impacts** are counted on the target, the score will be reduced by **one or several best additional shots**.
- F If more than **3 shots (releases)** are counted, the score will be reduced by **one or several best shots**.
- F If more than **1 impact** is counted on the same display unit, only **the best impact will be kept**.

50 points will reduce the score:

- F For every shot made with warning light on (overtaking of shooting window).
- F For every arrow extraction which the penetration axis would be diverted.
- F For any missed **target**.
- F For a "stolen departure".

4 - Points calculation

- F A number of points corresponds to each impact, this number is measured by **the approved control gauge**.
- F The final score is obtained by:

$$((\text{Target score} - (\text{time in seconds} \times 2)) \times 3) - \text{Penalties}$$
- F There are not negative points.

Example :

Target score	450 + 500 + 500	+ 1450
Time : 2'30"	(150 seconds)x2	- 300
	Score gross	1150
	Test Coef x3	3450
1 penalty	50 points	- 50
Total =		3400 points

5 - Ranking

The individual ranking is drawn up from the highest, first graded score, to the weakest, last graded score. The identical scores lead to the same ranking.



GREAT BIATHLON

1 - Definition

The **underwater great biathlon** test consists in doing, with the same equipment; **5 courses** go and back in apnea within a **maximum time limit of 10 minutes**. In every course, a **shot** is made on a **target** with 5 display units (one shot by display unit).

The departure line is located in **10 meters** away (+ or - 10 cm) from the centre of the **target** (See diagram **Article 3**).

For competitors in the YOUNG and JUNIOR categories, inhaling when rising to the surface is allowed.

This test includes a **selection**, a **semifinal** and **one final**; these selections stemmed from the best rankings.

2 - Progress

After every shot, the competitor gets his arrow back in its penetration axis, touches the **target**, returns behind the departure line, reloads his crossbow in direction of the **target holder** and gets ready for the following shot.

The competitor has to shoot his 5 shots in the **target**.

His course is validated if all the display units are made up of **1 impact maximum** and, if **3 display units** at least have an impact included in the areas of (570 to 471).

In case of tangent impact in this area, the use of the control gauge will be required and will be counted as valid the impacts > = 474 read on gauge.

The stopwatch is stopped after the **5th shot** when **the head of the competitor goes out from water**, behind the departure line.

The competitor has to return with his whole material.

3 - Bonus

Beyond 3 compulsory impacts (area > = to 471 points), any **additional shot** in this area gives right to a bonus of **3 seconds**, which will be deducted from the test time.

4 - Penalties

5 seconds will increase to the final time:

- F For every shot made with warning light on (overtaking of shot window).
- F For every arrow extraction which the penetration axis would be diverted.
- F For any missed **target**.
- F For a "stolen departure".

5 - Result calculation

The **result expressed in time** is obtained by adding **bonuses** and reducing the **penalties**.

Example:

For a course realized in 2'20" (two minutes and twenty seconds):

- F With a **bonus**, the result will be 2'20" - 3" = 2'17"
- F With **1 penalty**, the final result will be 2'17" + 5" = 2'22" (that is 142 seconds)

This result is called **corrected time**.

Course time (to convert in seconds)	2'20"	140
Number of impacts	4	-3
Penalties	1	+5
Corrected time 2'22" (that is 142 seconds)		142

6 - Ranking

It is done with the time, by adding the penalties and reducing the bonuses.

Only the competitors having made a valid course are taken into account in the ranking.

The individual ranking of the final is drawn up from the highest time, first graded, to the weakest, last graded.

The identical scores lead to the same ranking.



1 - Definition

The underwater relay is a team test. A team is made up 4 competitors who they relay themselves on a timed great biathlon type course with a target contract to do.

The departure line is located in **15 meters** away (+ or - 10 cm) from the centre of the **target** (See diagram [Article 3](#)).

Every competitor has to make **2 non consecutive shots on a target** with 4 display units (the central display unit is hidden).

The contract is done when the team has made **8 impacts, that is to say 2 impacts by display unit** included at least in the 425 area.

For this test, the maximal time limit is 10 minutes.

The course go and back is done in apnea.

For competitors in the YOUNG and JUNIOR categories, inhaling when rising to the surface is allowed.

2 - Relay area laying-out

This area must allow the preparation of the competitor.

A waiting area must be adjacent to the area relay to welcome the other competitors.

The area relay is strictly reserved for the **taking over**. **Only the competitor ready to leave and the competitor coming back from his course** can in this area simultaneously. This last one will have to leave this area to let the following competitor in.

3 - Progress

The **1st competitor** and only he, takes place in the "area relay", provided with a crossbow. He begins the test on order of the **starter**.

During the course, the **following competitor** and only he, takes place in his turn in the "area relay", **with an unloaded crossbow**.

After having made his course, the competitor in running returns in the "area relay", takes over the relay, by striking the following competitor **hand outside of the water**.

Only after the taking over, the following competitor can **load his crossbow** and make his course.

If a shot or some are misfired, **one or several supplementary courses** can be done to carry out the contract.

If a crossbow is out of order (broken), **a supplementary course by the following competitor** can be done to carry out the contract.

The stopwatch is stopped when **the last competitor** (came back in the "area relay") indicates to the timekeeper **by a sign of dive OK**, the team carried out its contract.

4 - Penalties

5 seconds will increase to the final time:

- F For every shot made with warning light on (overtaking of shot window).
- F For every arrow extraction which the penetration axis would be diverted.
- F For any missed **target**.
- F For a "stolen departure".

5 - Ranking

The result is drawn up with the time in seconds minus the penalties.

The ranking of the teams is (if the contract has been carried out) from the **highest time**, first graded, to **the weakest**, last graded (**penalties deducted**).

The identical scores lead to the same ranking.



COMBINED RANKING

Le **combined** is a ranking representing the whole of individual tests:

1 - Points calculation for the precision test:

We take directly the result in points obtained during the test, example: 5250pts.

2 - Points calculation for the biathlon test:

We take directly the result in points obtained during the test, example: XXXX0pts.

3 - Points calculation for the Great Biathlon :

We keep the best **corrected time** of the best of **validated rounds**.

A capital of 5000 points is attributed to the **reference time**.

If the competitor **corrected time** is **superior** to the **reference time**, every supplementary second **decreases** the capital of 3pts.

If the competitor **corrected time** is **lower** than the **reference time**, every supplementary second **increases** the capital of 3pts.

What gives the following calculation formula:

$$5000pts + (3pts \times (\text{reference time} - \text{corrected time}))$$

The **reference time** (in seconds) is the best **corrected time** registered at the end of the previous seasons.

Finale of the French cup marks the end of the season.

The **reference time** will be circulated with the national competitions calendar.

The **corrected time** (in seconds) is equal to time done plus bonuses minus the penalties.

Example:

For a course done in 2' 20" (two minutes and twenty seconds):

F with a **bonus**, the result will be 2'20" - 3" = 2'17"

F with a **penalty**, the final result will be 2'17" + 5" = 2'22" (that is 142 seconds)

For this example the **corrected time** is 2'22" or 142 seconds and the **reference time** is 1'30" that is 90 seconds

The score is equal to:

$$5000 + (3 \times (90 - 142)) = 4844pts$$

4 - Points calculation for the Combined ranking

The **combined ranking** is obtained by adding the points of the following tests:

Precision	=>	5250pts
Biathlon	=>	3264pts
Great Biathlon	=>	4844pts
Total		13358pts

There are not negative points.

5 - Ranking

The **combined ranking** is drawn up from the highest score, first graded, to the weakest, last graded.

The identical scores lead to the same ranking.

A **national ranking** of **every category** is updated after each official meeting registered in the national calendar.